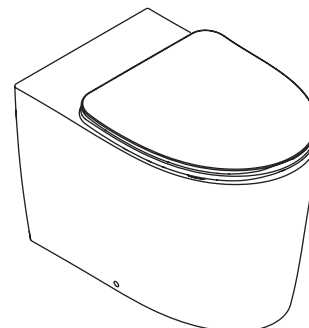


### WALL-FACED TOILET WITH SEAT K-23208K



#### Features

- Vitreous china
- European bowl
- Wall-faced
- Includes function seat, Turn on with noise sensor and automatic turn off after 40 sec, Scent pack (Assortment), Powered by 2 AAA Batteries
- Wash down flushing system
- 185±5 mm rough-in for P-trap
- 580 x 370 x 437 mm

#### Codes/Standards Applicable

Specified model meets or exceeds the following:

- AS 1172
- BS:EN 997
- MS 1552
- SNI 03-0797
- TIS 792
- ASME 112.19.2/CSA B45
- GB 6952
- PNS 156
- SS 574

#### Technical Information

Fixture:	
Configuration	Wall-faced, european
Water per flush	2.6/4, 3/4.5 or 3/6 liter
Passageway	51 mm
Water area	127 x 102 mm
Water depth from rim	200 mm
Seat post hole centers	150 mm
*Designed to flush with 2.6/4, 3/4.5 or 3/6 lpf water when install with a 2.6/4, 3/4.5 or 3/6 lpf valve.	

Include Components:	
Bowl	K-22758K
Function seat	K-23207K
P-trap Connector	1138552

#### Installation Notes

Install this product according to the installation guide.

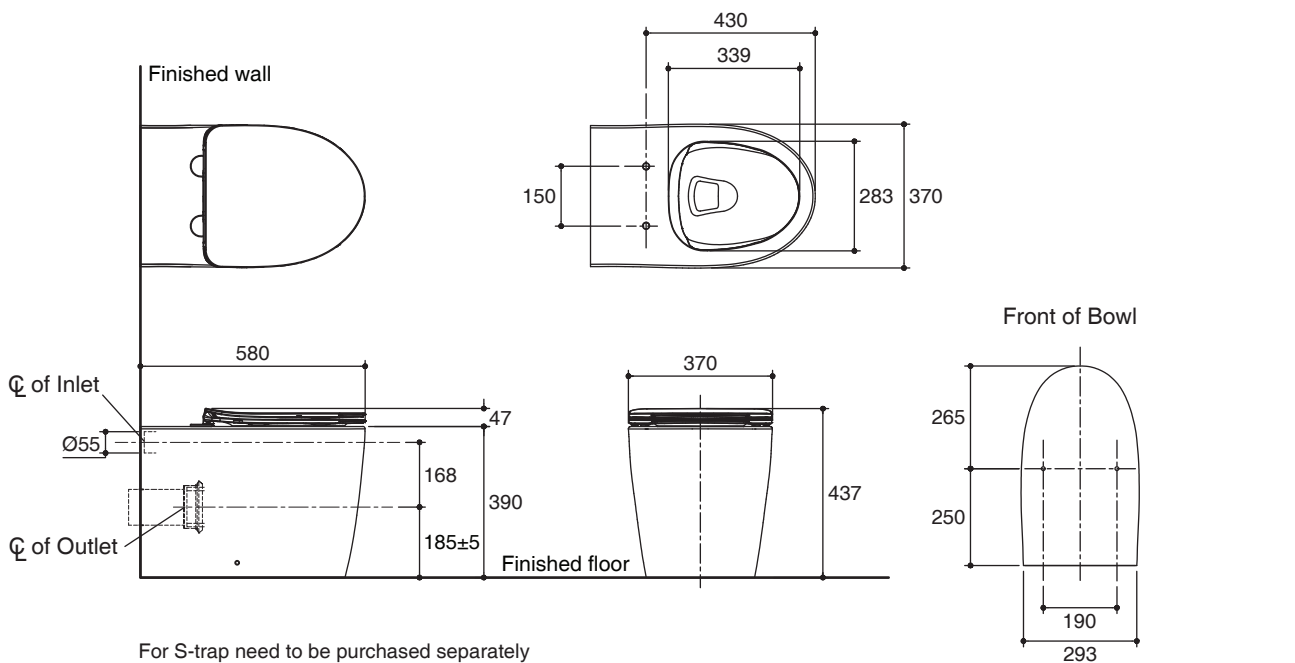
#### Specified Model

Model	Description	Color/Finished
K-23208K	Parliament Grande wall-faced toilet, P-trap with function seat	0: White

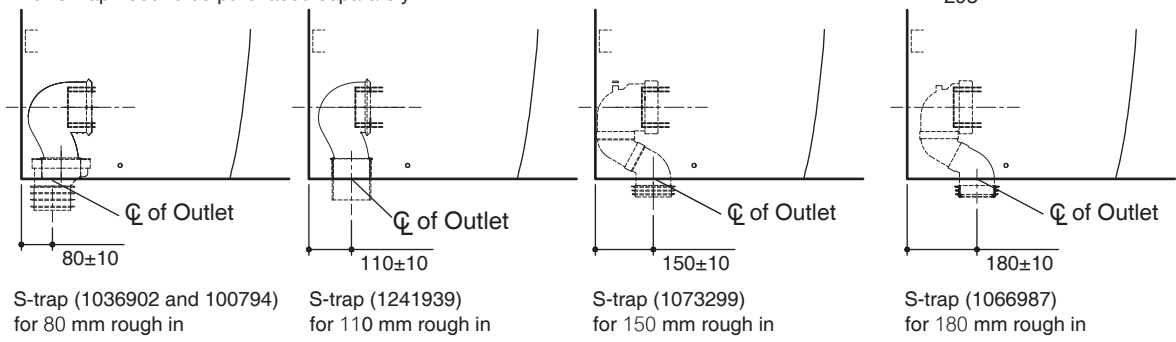
Optional Accessories		
K-6286T	In-wall tank with cover plate 3/6 lpf	NA: Not Applicable
K-10611A	In-wall tank with cover plate 3/4.5 lpf	NA: Not Applicable
K-78073K/T-PNE	Hydro-tower 200 without frame 2.6/4 lpf	NA: Not Applicable
K-78074K/T-PNE	Hydro-tower 200 without frame 3/4.5 lpf	NA: Not Applicable
K-78075K/T-PNE	Hydro-tower 200 without frame 3/6 lpf	NA: Not Applicable
K-78076K/T-PNE	Hydro-tower 300 without frame 2.6/4 lpf	NA: Not Applicable
K-78077K/T-PNE	Hydro-tower 300 without frame 3/4.5 lpf	NA: Not Applicable
K-78078K/T-PNE	Hydro-tower 300 without frame 3/6 lpf	NA: Not Applicable
1241939	S-trap connector	
1073299	S-trap connector	
1066987	S-trap connector	
1036902	S-trap connector	
100794	Offset connector	

# PARLIAMENT GRANDE

Dimensions are approximate.  
Unit: mm



For S-trap need to be purchased separately



Note: The recommended dimension for installation can be adjusted according to user preferences and layout.

## Product Diagram